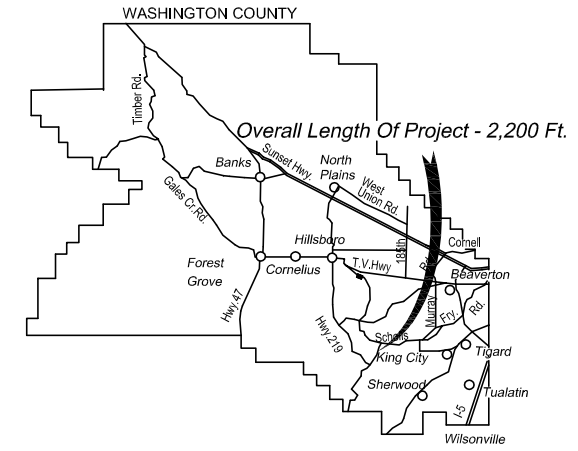


WASHINGTON COUNTY, OREGON  
DEPARTMENT OF LAND USE AND TRANSPORTATION

PLANS FOR PROPOSED PROJECT



GRADING, DRAINAGE, PAVING,  
SIGNING, STRIPING, SIGNAL & ITS

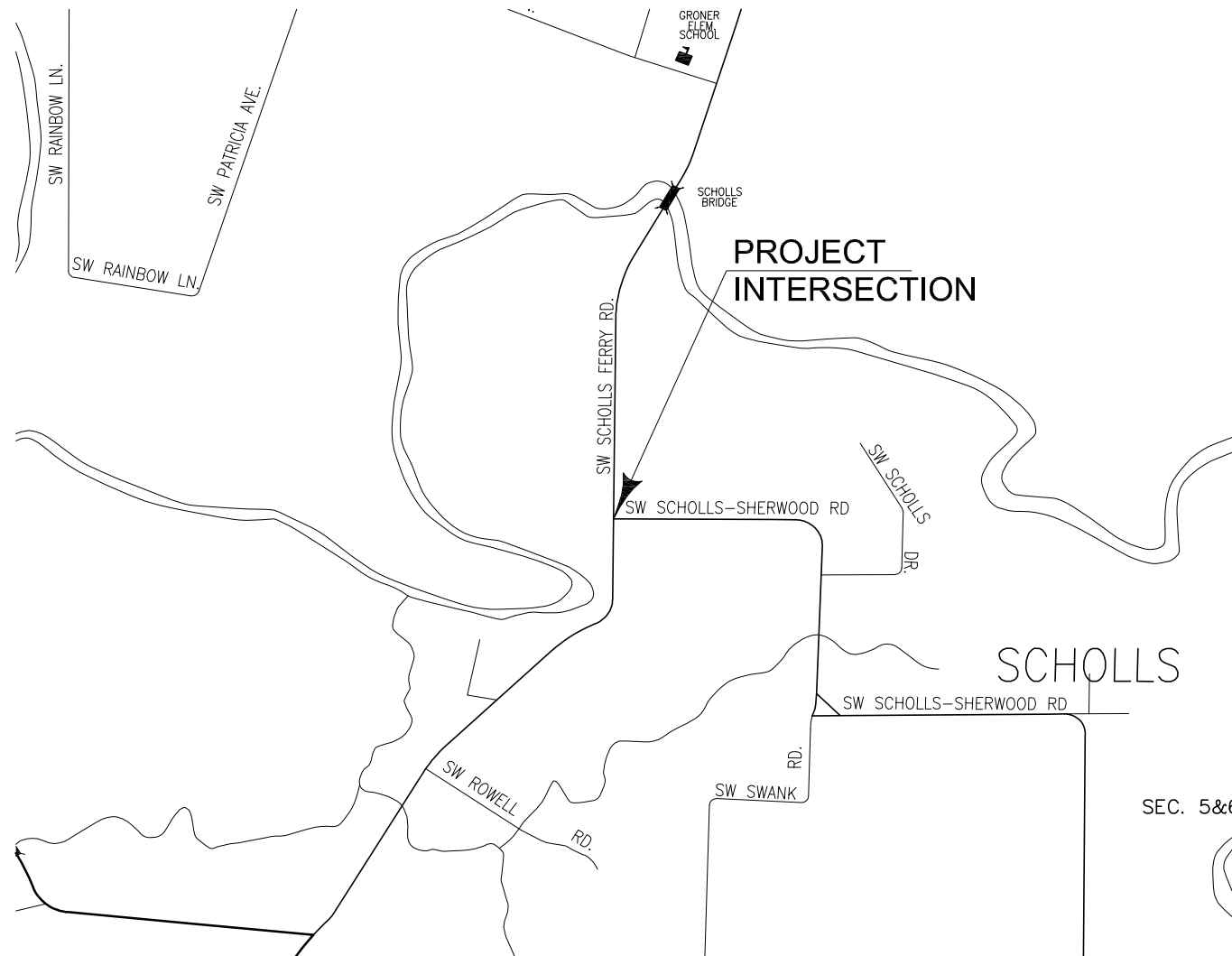


VICINITY MAP

# SCHOLLS FERRY ROAD/ SCHOLLS-SHERWOOD ROAD INTERSECTION IMPROVMENT

WASHINGTON COUNTY  
MONTH YEAR

"This Design Complies with ORS 92.044(7), In That No Utility Infrastructure Is Designed to be Within 1 Ft. of a Survey Monument Location Shown on a Subdivision or Partition Plat. No Design Modification Nor Final Field Location Change Shall be Permitted If It Would Cause Any Utility Infrastructure To Be Placed Within the Prohibited Area."



PROJECT MAP  
NO SCALE

**Elevation Datum:**  
Held An Elevation Of 140.215 Feet On Washington County Benchmark No. 507

**Basis Of Bearings:**  
Horizontal Coordinates, Lot Lines, Centerlines and Right-Of-Way Lines Are Based On An Electronic Drawing Entitled "Row To Eng 080718" Provided By Washington County.

**ATTENTION:**  
Oregon Law Requires You To Follow Rules Adopted By The Oregon Utility Notification Center. Those Rules Are Set Forth In OAR 952-001-0010 Through OAR 952-001-0090. You May Obtain Copies Of The Rules From The Center.

**REGISTERED PROFESSIONAL ENGINEER**  
75,800

OREGON  
JUNE 2, 2010  
**NATHANIEL N. SCHROEDER**

EXPIRES: JUN. 30, 2020

720 SW Washington St, Suite 500  
Portland, Oregon 97205  
www.dksassociates.com

**DKS**

Department of Land Use & Transportation  
Engineering and Construction Services

WASHINGTON COUNTY OREGON

PLOT STAMP: 05/07/19 8:28A MPZ  
CAD: 100376\_TL.DWG, TAB: LAYOUT1  
PATH: SHERWOOD MPZ\CAD

NO.	REVISIONS

Scholls Ferry Road/Scholls-Sherwood Road Intersection Improvement  
PROJECT LIMITS  
WASHINGTON COUNTY

**TITLE SHEET**

PROJECT NUMBER  
**100376**

SHEET NO.  
1 OF 83

SHEET TITLE  
**1**



Department of Land Use & Transportation  
Engineering and Construction Services

720 SW Washington St, Suite 500  
Portland, Oregon 97205  
www.dksassociates.com

PLOT STAMP: 05/07/19 8:28A MPZ  
CAD: 100376\_IND.X.DWG, TAB: LAYOUT  
PATH: X:\PROJECTS\2019\1515182-07 (WASHCO SCHOOLS FERRY-SCHOOLS  
SHERWOOD IMP)DGN

NO.	REVISIONS

Scholts Ferry Road/Scholts-Sherwood Road Intersection Improvement  
PROJECT LIMITS  
WASHINGTON COUNTY

**PROJECT SHEET INDEX  
& STANDARD DRG. NOS.**

PROJECT NUMBER  
**100376**

SHEET NO.  
2 OF 83

SHEET TITLE  
**1A**

# INDEX OF SHEETS

INDEX OF SHEETS, CONT'D.		
Sheet No.	Sheet Title	Description
CIVIL		
3	1B	PROJECT SHEET LAYOUT
4-5	2A THRU 2A-1	TYPICAL SECTIONS
6-7	2B THRU 2B-1	STANDARD DETAILS
8-11	2E THRU 2E-3	EROSION CONTROL AND GRADING PLANS
12	2E-4	EROSION CONTROL DETAILS
13-16	2F THRU 2F-3	GEOMETRY PLANS
17-18	2G THRU 2G-1	GRADING DETAIL
19	C3	ROADWAY PLANS 30+00 TO 34+50
20	C3A	ROADWAY PROFILE 30+00 TO 34+50
21	C4	ROADWAY PLANS 34+50 TO 39+00
22	C4A	ROADWAY PROFILE 34+50 TO 39+00
23	C5	ROADWAY PLANS 39+00 TO 43+50
24	C5A	ROADWAY PROFILE 10+00 TO 12+93
25	C6	ROADWAY PLANS 30+00 TO 34+50
26	C6A	ROADWAY PROFILE 10+00 TO 12+93
27	GJ	STORMWATER PLAN
28	GJ-1	STORMWATER PROFILE
29	GJ-2	STORMWATER DETAILS
30-33	SS-1 THRU SS-4	SIGNING AND STRIPING PLANS
34	SS-5	STRIPING DETAILS
35	SS-6	SIGNING DETAILS
36	SS-7	PERMANENT SIGNING LEGEND
37	SS-8	SIGN & POST DATA TABLE
TRAFFIC SIGNAL		
38	TS-1	SIGNAL PLAN LEGEND AND NOTES
39	TS-2	SIGNAL PLAN
40	TS-3	DETECTOR PLAN
41	TS-4	SIGNAL DETAILS
42	TS-5	SIGNAL DETAILS
43	ITS-01	ITS PLAN
44	ITS-02	ITS DETAILS
TRAFFIC STANDARD DRAWINGS		
45-76	SD-1 THRU SD-32	OREGON STANDARD DRAWINGS
77-83	SD-33 THRU SD-39	WASHINGTON COUNTY STANDARD DRAWINGS

STANDARD DRG. NOS	DESCRIPTION
OREGON TM240	CROSSWALK CLOSURE DETAIL
OREGON TM450	MAST ARM POLE DETAILS
OREGON TM457	VEHICLE, PEDESTRIAN, SIGNAL AND PUSH BUTTON MOUNTING OPTION DETAILS
OREGON TM460	VEHICLE SIGNAL DETAILS
OREGON TM462	VEHICLE SIGNAL BRACKET MOUNT DETAILS
OREGON TM465	OVERHEAD SIGN, FIRE PREEMPTION AND PHOTOELECTRIC CONTROL DETAILS
OREGON TM467	PEDESTRIAN SIGNAL MOUNT AND PEDESTRIAN PUSHBUTTON DETAILS
OREGON TM470	WIRE & CABLE INSTALLATION AND COLOR CODE CHARTS
OREGON TM471	TRENCHING 7 CONDUIT INSTALLATION
OREGON TM472	TRAFFIC SIGNAL JUNCTION BOX / HAND HOLES
OREGON TM475	LOOP DETAILS
OREGON TM482	CONTROLLER CABINET & SERVICE CABINET FOUNDATION DETAILS
OREGON TM485	SERVICE CABINET WIRING DETAILS
OREGON TM488	TERMINAL CABINET DETAIL
OREGON TM670	WOOD POSTS SIGN SUPPORTS
OREGON TM675	EXTRUDED ALUMINUM PANELS
OREGON TM677	SIGN MOUNTS
OREGON TM678	SECONDARY SIGN MOUNTING DETAILS
OREGON TM679	SIGNAL MAST ARM STREET NAME SIGN MOUNTS
OREGON TM681	PERFORATED STEEL SQUARE TUBE (PSST) SIGN SUPPORT INSTALLATION
OREGON TM800	TABLES, ABRUPT EDGE AND PCMS DETAILS
OREGON TM820	TEMPORARY BARRICADES
OREGON TM821	TEMPORARY SIGN SUPPORTS
OREGON TM841	INTERSECTION WORK ZONE DETAILS
OREGON TM850	2-LANE, 2-WAY ROADWAYS
OREGON RD115	MONUMENT BOX
OREGON RD300	TRENCH BACKFILL, BEDDING, PIPE ZONE AND MULTIPLE INSTALLATIONS
OREGON RD339	PIPE TO STRUCTURE CONNECTIONS
OREGON RD388	FILL HEIGHT TABLES FOR PVC PIPE
OREGON RD610	ASPHALT PAVEMENT (ACP) CONCRETE DETAILS
OREGON RD615	ASPHALT PAVEMENT (ACP) CONCRETE DETAILS
OREGON RD1033	SEDIMENT BARRIER TYPE 9
WASHINGTON CO. DETAIL 1070	DRIVEWAY FOR UNCURBED ROADS, PLAN AND PROFILE
WASHINGTON CO. DETAIL 1080	DRIVEWAY FOR UNCURBED ROADS, CROSS-SECTION AND PROFILES
WASHINGTON CO. DETAIL 3010	CENTERLINE SURVEY MONUMENT DETAIL
WASHINGTON CO. DETAIL 3060	MAILBOX INSTALLATION PLAN
WASHINGTON CO. DETAIL 6510	PERMANENT SIGNING LEGEND
WASHINGTON CO. DETAIL 6511	STREET NAME SIGNS
WASHINGTON CO. DETAIL 6911	TRAFFIC SIGNAL SUPPORTS NOTES AND CRITERIA
WASHINGTON CO. DETAIL 6912	TRAFFIC SIGNAL SUPPORTS GENERAL DETAILS
WASHINGTON CO. DETAIL 6913	TRAFFIC SIGNAL SUPPORTS STEEL DETAILS
WASHINGTON CO. DETAIL 6921	TRAFFIC SIGNAL SUPPORTS FOUNDATION STANDARD (SQUARE)
WASHINGTON CO. DETAIL 6922	TRAFFIC SIGNAL SUPPORTS FOUNDATION STANDARD (ROUNDED)



OREGON  
MAY 21, 2014  
PETER G. COFFMAN

EXPIRES: 12/31/19

Department of  
Transportation  
Engineering and  
Construction Services

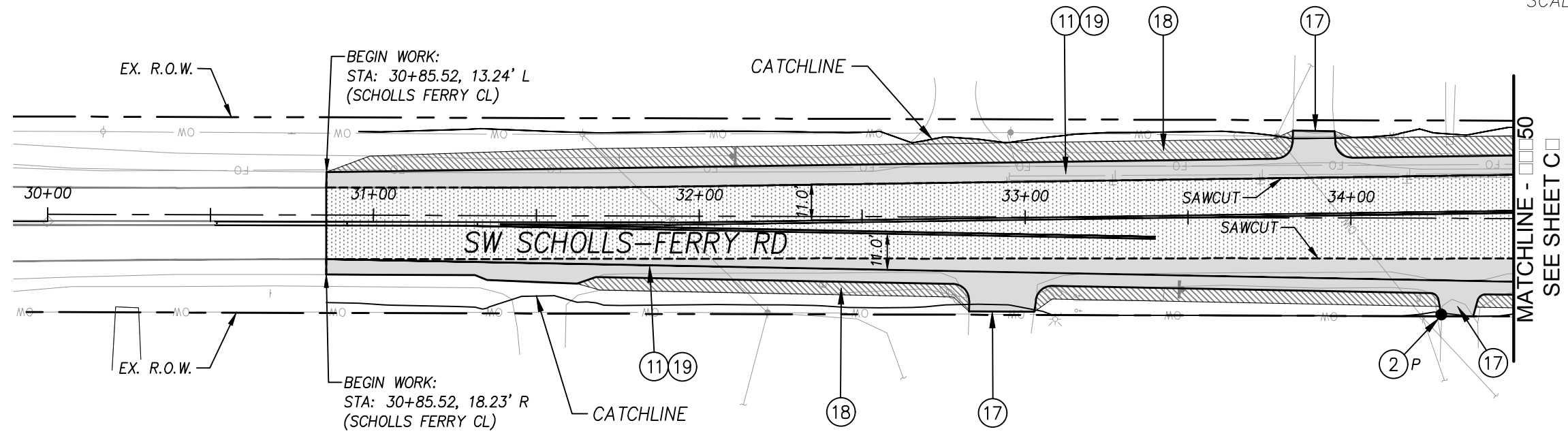
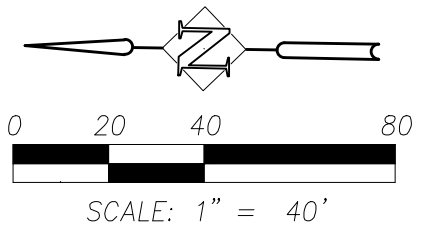
Harper  
Houf Peterson  
Righellis Inc.

ENGINEERS PLANNERS  
LANDSCAPE ARCHITECTS SURVEYORS  
205 SE Spokane Street, Suite 200, Portland, OR 97202  
phone: 503.221.1131 www.hpr.com fax: 503.221.1171

PLOT STAMP: 05/08/19 7:16A PETERC  
CAD: WAS-33\_03.DWG, TAB: C3 PLAN  
PATH: S:\WA\WASHINGTON COUNTY\WAS-33 (SCHOLLS SHERWOOD ROAD)  
NO. REVISIONS

Scholls Ferry Road/Sherwood Road Intersection Improvement  
PROJECT LIMITS  
WASHINGTON COUNTY  
ROADWAY PLAN 30+00 TO 34+50

PROJECT NUMBER  
**100376**  
SHEET NO.  
1 OF 3  
SHEET TITLE  
**C3**



**CONSTRUCTION NOTES:**

- ② EXISTING SURVEY MONUMENT. (P) PROTECT, (R) REPLACE BENCHMARK AND INSTALL MONUMENT BOX PROVIDED BY COUNTY.
- ⑪ SAWCUT AND REMOVE EXISTING ASPHALT.
- ⑰ CONSTRUCT COMMERCIAL DRIVEWAY APPROACH. FOR DETAILS, SEE SHEET 2B
- ⑱ CONSTRUCT AGGREGATE SHOULDER SECTION, SEE TYPICAL SECTION ON SHEETS 2A
- ⑲ CONSTRUCT AC PAVEMENT SECTION, SEE TYPICAL SECTION ON SHEETS 2A.

**LEGEND:**

- AC PAVEMENT SECTION SHOWN THUS:
- AGGREGATE SHOULDER SHOWN THUS:
- 2" COLD PLANE PAVEMENT REMOVAL 2" AC LEVEL 3, INLAY SHOWN THUS:

**GENERAL NOTES:**

- 1) INSTALL PERMANENT SEEDING TO ALL DISTURBED AREA OUTSIDE OF AGGREGATE SHOULDER.
- 2) PROTECT ALL EXISTING IMPROVEMENTS NOT NOTED IN THE PLANS. ANY DISTURBED IMPROVEMENTS AND LANDSCAPING WILL BE REPLACED, IN KIND, AT NO EXPENSE TO THE COUNTY.



OREGON  
MAY. 21, 2014  
PETER G. COFFMAN

EXPIRES: 12/31/19

Department of  
Land Use &  
Transportation  
Engineering and  
Construction Services



Harper  
Houf Peterson  
Righellis Inc.

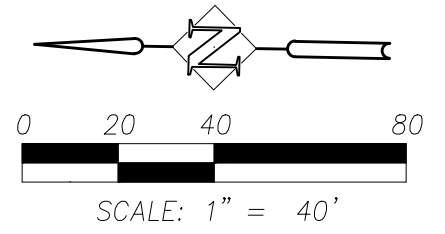
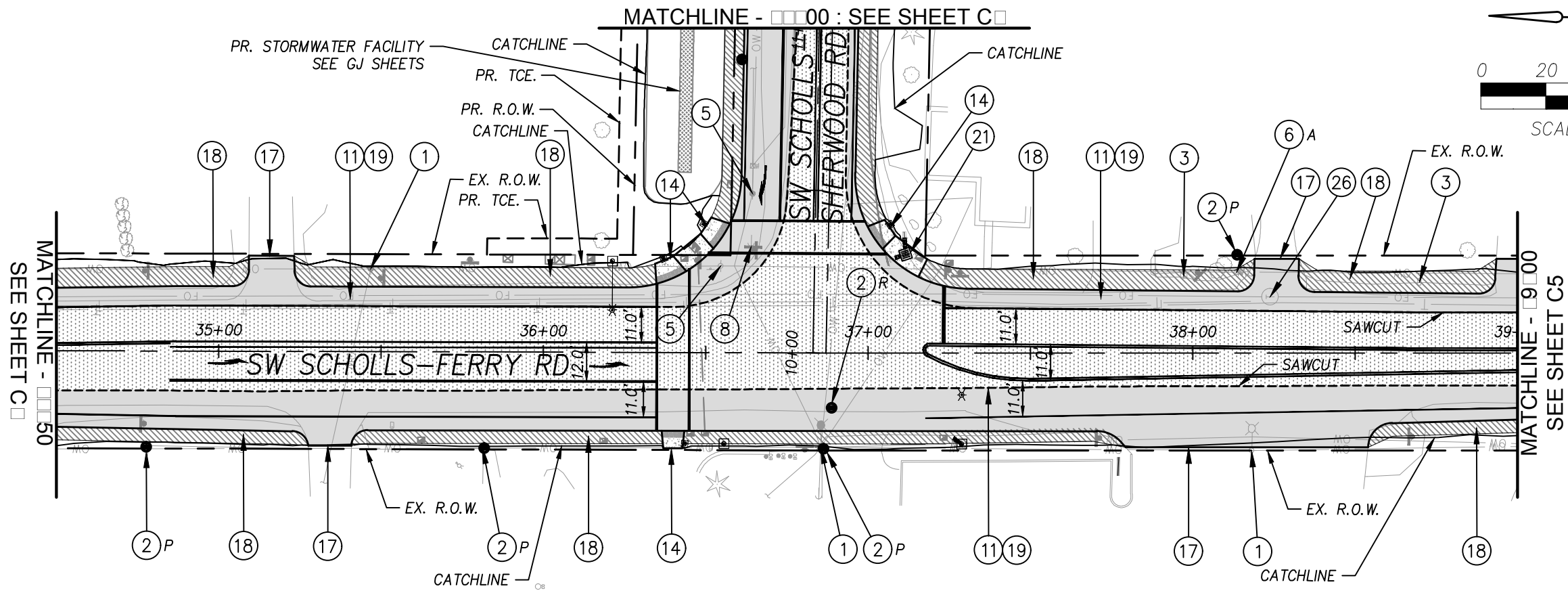
ENGINEERS + PLANNERS  
LANDSCAPE ARCHITECTS + SURVEYORS  
205 SE Spokane Street, Suite 200, Portland, OR 97202  
phone: 503.221.1131 www.hhpr.com fax: 503.221.1171

PLOT STAMP: 05/08/19 7:17A PETERC  
CAD: WAS-33\_04.DWG, TAB: C4 PLAN  
PATH: S:\WAS\WASHINGTON COUNTY\WAS-33 (SCHOLLS SHERWOOD RUM  
NO. REVISIONS

Scholls Ferry Road/Sherwood Road Intersection Improvement  
PROJECT LIMITS  
WASHINGTON COUNTY

ROADWAY PLAN 34+50 TO 39+00

PROJECT NUMBER  
**100376**  
SHEET NO.  
21 of 3  
SHEET TITLE  
**C4**



**CONSTRUCTION NOTES:**

- ① PROTECT EXISTING UTILITY POLE AND/OR STREET LIGHT.
- ② EXISTING SURVEY MONUMENT. (P) PROTECT, (R) REPLACE BENCHMARK AND INSTALL MONUMENT BOX PROVIDED BY COUNTY PER WASH. CO. DETAIL 3060 AND ODOT STD DRG RD115
- ③ REMOVE MAILBOX. INSTALL NEW MAILBOX PER WASH. CO. DETAIL 3060.
- ⑤ RELOCATE UTILITY POLE (BY OTHERS).
- ⑥ PROTECT (P), RELOCATE (R), OR ADJUST (A) EXISTING UTILITY BOXES.
- ⑧ RELOCATE EXISTING GUY WIRE (BY OTHERS).
- ⑪ SAWCUT AND REMOVE EXISTING ASPHALT.
- ⑭ CONSTRUCT CONCRETE ADA REFUGE WITH TACTILE WARNING PER DETAILS, SEE SHEET 2B.
- ⑰ CONSTRUCT COMMERCIAL DRIVEWAY APPROACH. FOR DETAILS, SEE SHEET 2B
- ⑱ CONSTRUCT AGGREGATE SHOULDER SECTION, SEE TYPICAL SECTION ON SHEETS 2A
- ⑲ CONSTRUCT AC PAVEMENT SECTION, SEE TYPICAL SECTION ON SHEETS 2A.
- ⑳ CONSTRUCT TYPE II AREA DRAIN. INSTALL 6" CONCRETE SURFACING AROUND INLET AS SHOWN FOR DETAILS, SEE SHEET 2B-1 & ODOT STD DRG. RD300, RD339 & RD388.
- ㉑ ADJUST UTILITY MANHOLE LID AND FRAME TO FINISHED GRADE. COORDINATE WITH FRONTIER COMMUNICATIONS FOR APPROVAL.

**LEGEND:**

- AC PAVEMENT SECTION SHOWN THUS:
- AGGREGATE SHOULDER SHOWN THUS:
- 2" COLD PLANE PAVEMENT 2" AC LEVEL 3, INLAY SHOWN THUS:

**GENERAL NOTES:**

- 1) INSTALL PERMANENT SEEDING TO ALL DISTURBED AREA OUTSIDE OF AGGREGATE SHOULDER.
- 2) PROTECT ALL EXISTING IMPROVEMENTS NOT NOTED IN THE PLANS. ANY DISTURBED IMPROVEMENTS AND LANDSCAPING WILL BE REPLACED, IN KIND, AT NO EXPENSE TO THE COUNTY.



OREGON  
MAY 21, 2014  
PETER G. COFFMAN

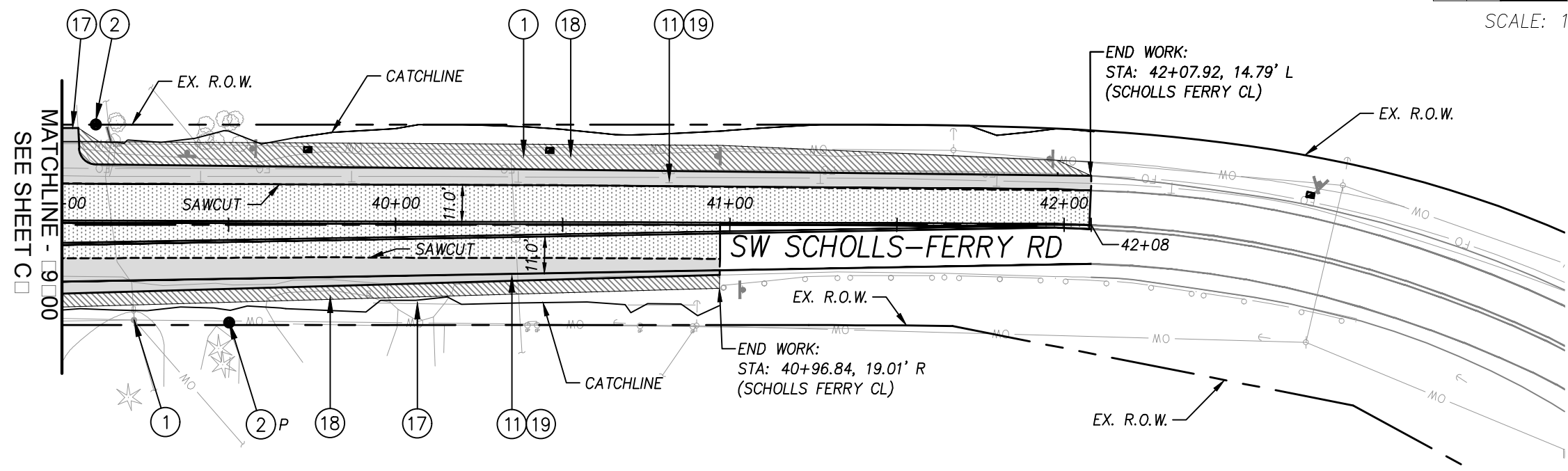
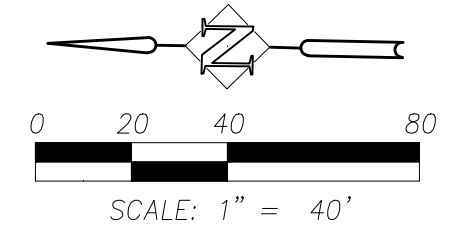
EXPIRES: 12/31/19

Department of Land Use & Transportation  
Engineering and Construction Services  
Harper Houf Peterson Righellis Inc.  
ENGINEERS + PLANNERS  
LANDSCAPE ARCHITECTS + SURVEYORS  
205 SE Spokane Street, Suite 200, Portland, OR 97202  
phone: 503.221.1131 www.hhpr.com fax: 503.221.1171

PLOT STAMP: 05/08/19 7:17A PETERC  
CAD: WAS-33\_05.DWG, TAB: C5 PLAN  
PATH: S:\WAS\WASHINGTON COUNTY\WAS-33 (SCHOLLS SHERWOOD ROAD)  
NO. REVISIONS

Scholls Ferry Road/Sherwood Road Intersection Improvement  
PROJECT LIMITS  
WASHINGTON COUNTY  
ROADWAY PLAN 39+00 TO 43+50

PROJECT NUMBER  
**100376**  
SHEET NO.  
**23 OF 3**  
SHEET TITLE  
**C5**



**CONSTRUCTION NOTES:**

- ① PROTECT EXISTING UTILITY POLE AND/OR STREET LIGHT.
- ② EXISTING SURVEY MONUMENT. (P) PROTECT, (R) REPLACE BENCHMARK AND INSTALL MONUMENT BOX PROVIDED BY COUNTY PER WASH. CO. DETAIL 3060 AND ODOT STD DRG RD115
- ⑪ SAWCUT AND REMOVE EXISTING ASPHALT.
- ⑰ CONSTRUCT COMMERCIAL DRIVEWAY APPROACH. FOR DETAILS, SEE SHEET 2B
- ⑱ CONSTRUCT AGGREGATE SHOULDER SECTION, SEE TYPICAL SECTION ON SHEETS 2A
- ⑲ CONSTRUCT AC PAVEMENT SECTION, SEE TYPICAL SECTION ON SHEETS 2A.

**LEGEND:**

- AC PAVEMENT SECTION SHOWN THUS:
- AGGREGATE SHOULDER SHOWN THUS:
- 2" COLD PLANE PAVEMENT, 2" AC LEVEL 3, INLAY SHOWN THUS:

**GENERAL NOTES:**

- 1) INSTALL PERMANENT SEEDING TO ALL DISTURBED AREA OUTSIDE OF AGGREGATE SHOULDER.
- 2) PROTECT ALL EXISTING IMPROVEMENTS NOT NOTED IN THE PLANS. ANY DISTURBED IMPROVEMENTS AND LANDSCAPING WILL BE REPLACED, IN KIND, AT NO EXPENSE TO THE COUNTY.



OREGON  
MAY 21, 2014  
PETER G. COFFMAN

EXPIRES: 12/31/19

Department of Land Use & Transportation  
Engineering and Construction Services

Harper Houf Peterson Righellis Inc.  
ENGINEERS+PLANNERS  
LANDSCAPE ARCHITECTS+SURVEYORS  
205 SE Spokane Street, Suite 200, Portland, OR 97202  
phone: 503.221.1131 www.hhpri.com fax: 503.221.1171

PLOT STAMP: 05/08/19 7:17A PETERC  
CAD: WAS-33\_06.DWG, TAB: C6 PLAN  
PATH: S:\WAS\WASHINGTON COUNTY\WAS-33 (SCHOLLS SHERWOOD ROAD IMPROVEMENTS)\WAS33-06.DWG SHEETS

NO.	REVISIONS

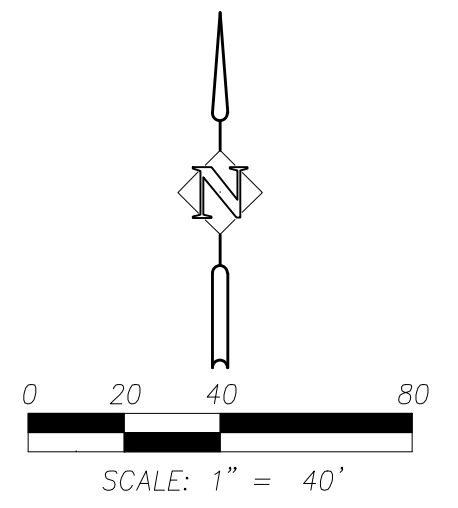
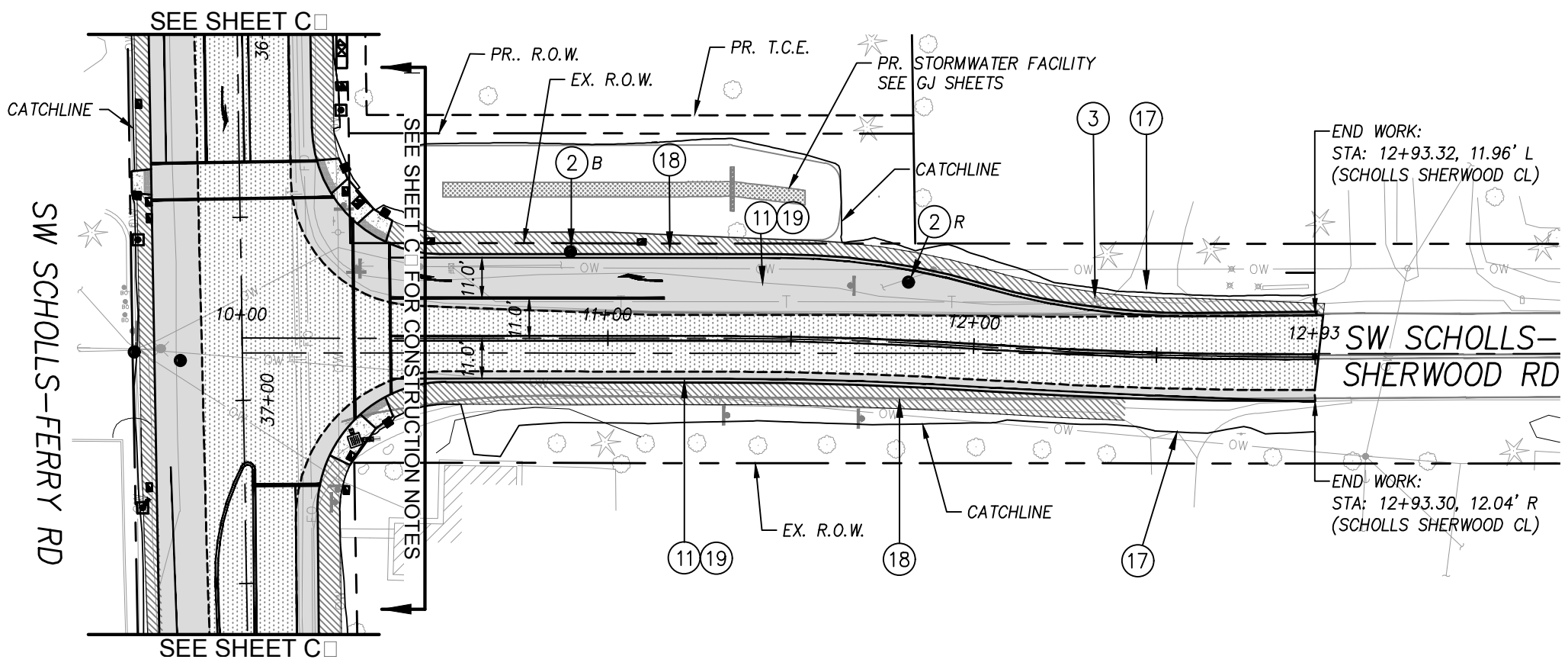
Scholls Ferry Road/Sherwood Road Intersection Improvement  
PROJECT LIMITS  
WASHINGTON COUNTY

ROADWAY PLAN 10+00 TO 12+93

PROJECT NUMBER  
**100376**

SHEET NO.  
**25** OF **33**

SHEET TITLE  
**C6**



**CONSTRUCTION NOTES:**

- ② EXISTING SURVEY MONUMENT. (P) PROTECT, (R) REPLACE BENCHMARK AND INSTALL MONUMENT BOX PROVIDED BY COUNTY PER WASH. CO. DETAIL 3060 AND ODOT STD DRG RD115
- ③ REMOVE MAILBOX. INSTALL NEW MAILBOX PER WASH. CO. DETAIL 3060, ODOT STD. DRG. RD100 & RD101
- ⑪ SAWCUT AND REMOVE EXISTING ASPHALT.
- ⑰ CONSTRUCT RESIDENTIAL DRIVEWAY APPROACH. FOR DETAIL, SEE SHEET 2B
- ⑱ CONSTRUCT AGGREGATE SHOULDER SECTION, SEE TYPICAL SECTION ON SHEETS 2A
- ⑲ CONSTRUCT AC PAVEMENT SECTION SEE TYPICAL SECTION ON SHEETS 2A.

**LEGEND:**

- AC PAVEMENT SECTION SHOWN THUS:
- AGGREGATE SHOULDER SHOWN THUS:
- 2" COLD PLANE PAVEMENT, 2" AC LEVEL 3, INLAY SHOWN THUS:

**GENERAL NOTES:**

- 1) INSTALL PERMANENT SEEDING TO ALL DISTURBED AREA OUTSIDE OF AGGREGATE SHOULDER.
- 2) PROTECT ALL EXISTING IMPROVEMENTS NOT NOTED IN THE PLANS. ANY DISTURBED IMPROVEMENTS AND LANDSCAPING WILL BE REPLACED, IN KIND, AT NO EXPENSE TO THE COUNTY.



OREGON  
MAY 21, 2014  
PETER G. COFFMAN

EXPIRES: 12/31/19

Department of  
Land Use &  
Transportation  
Engineering and  
Construction Services

Harper  
Houf Peterson  
Righellis Inc.

ENGINEERS\*PLANNERS  
LANDSCAPE ARCHITECTS\*SURVEYORS  
205 SE Spokane Street, Suite 200, Portland, OR 97202  
phone: 503.221.1131 www.hhpr.com fax: 503.221.1171

PLOT STAMP: 05/08/19 7:17A PETERC  
CAD: WAS-33\_GJ-1 STORM WATER.DWG, TAB: GJ PLAN  
PATH: S:\WA\WASHINGTON COUNTY\WAS-33 (SCHOLLS SHERWOOD ROAD)  
NO. REVISIONS

Scholls Ferry Road/Sherwood Road Intersection Improvement  
PROJECT LIMITS  
WASHINGTON COUNTY

STORM WATER PLAN

PROJECT NUMBER  
**100376**

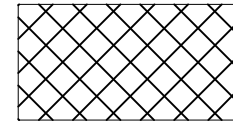
SHEET NO.  
**27** OF **3**

SHEET TITLE  
**G**

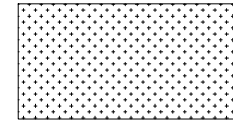
### CONSTRUCTION NOTES:

- ① CONSTRUCT BIO-FILTRATION POND FOR DETAILS, SEE SHEETS GJ-1 AND GJ-2
- ② INSTALL AGGREGATE FLOW SPREADER USING GRANULAR DRAIN ROCK AGGREGATE. FOR DETAIL, SEE GJ-2
- ③ INSTALL WATER QUALITY SEEDING
- ④ INSTALL PERMANENT SEEDING

### LEGEND



Permanent Seeding



Water Quality Seeding

