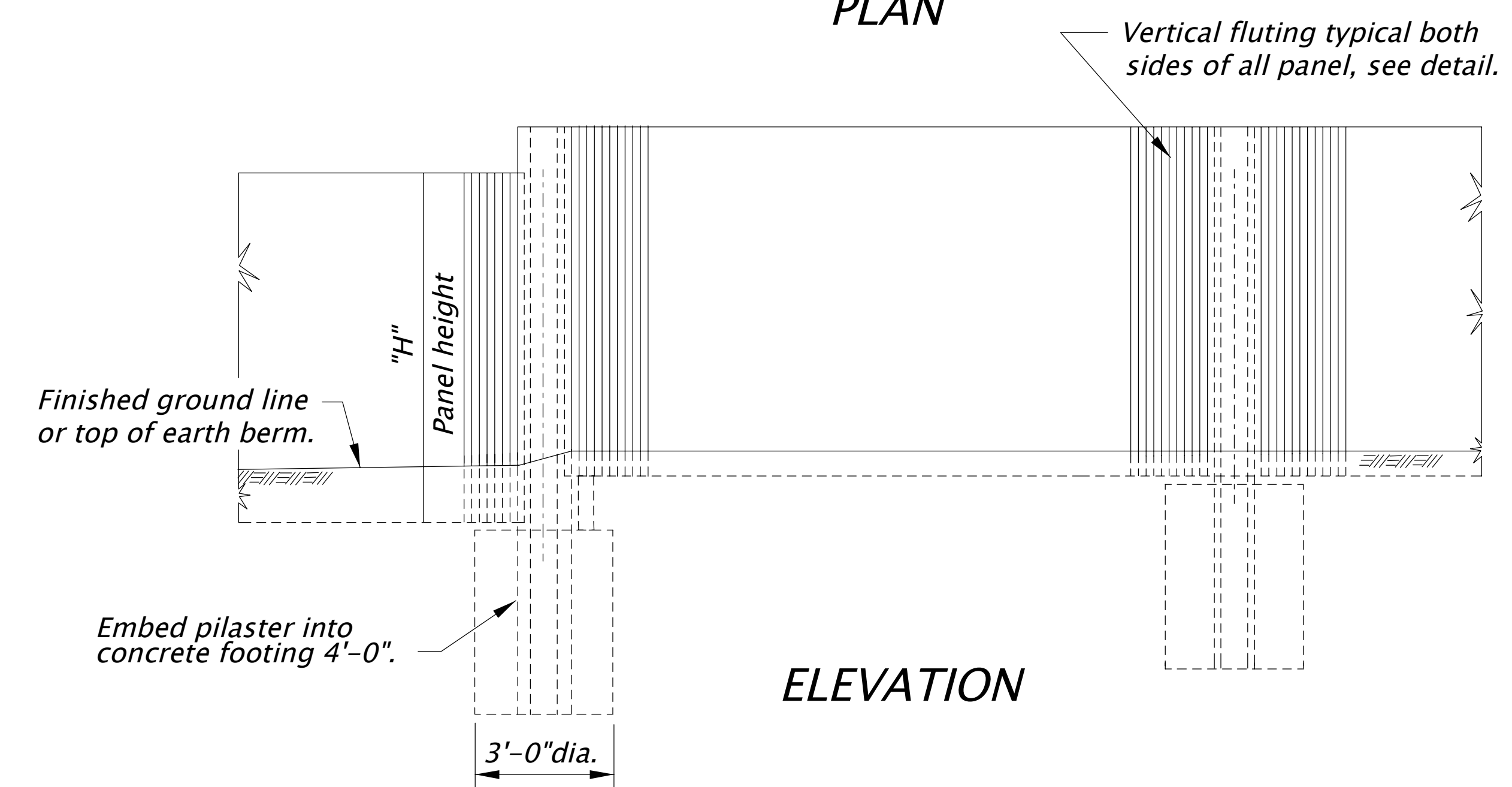
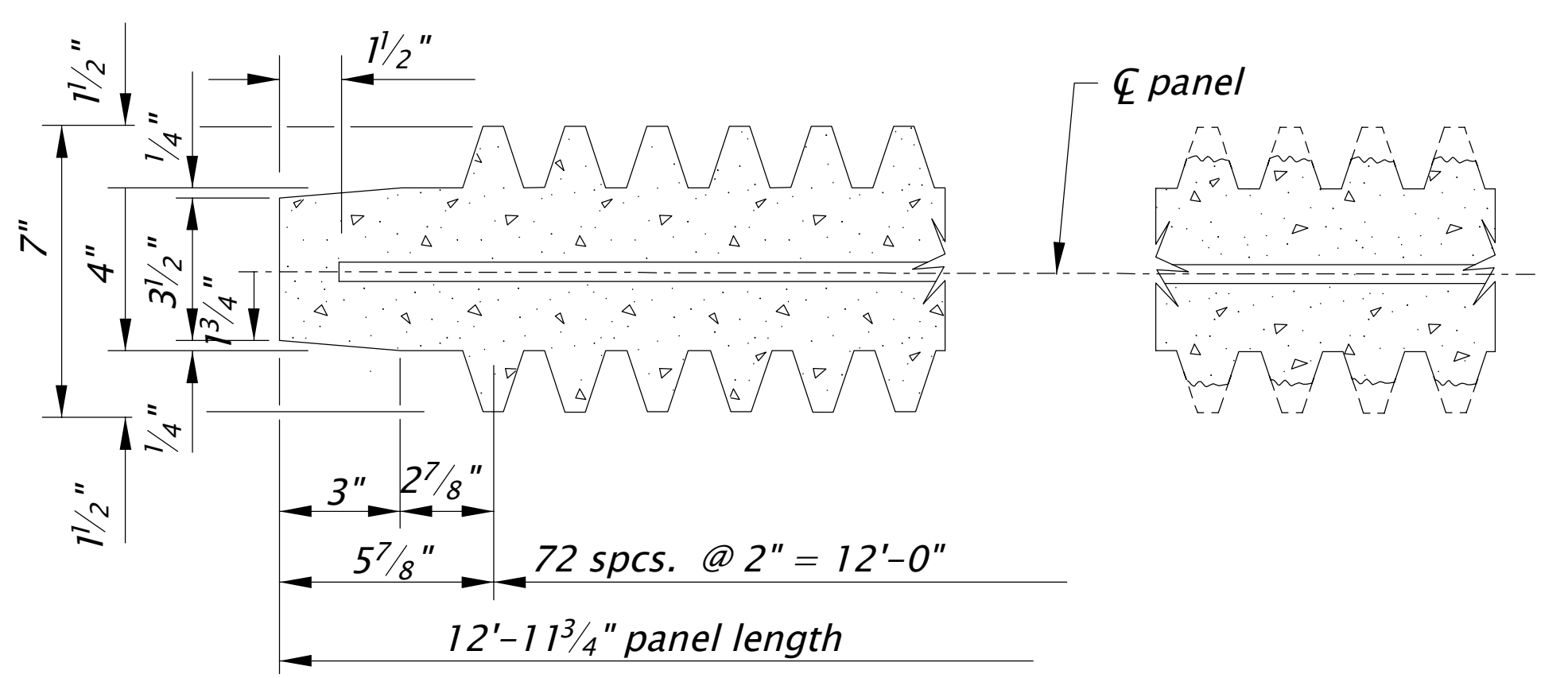


PLAN

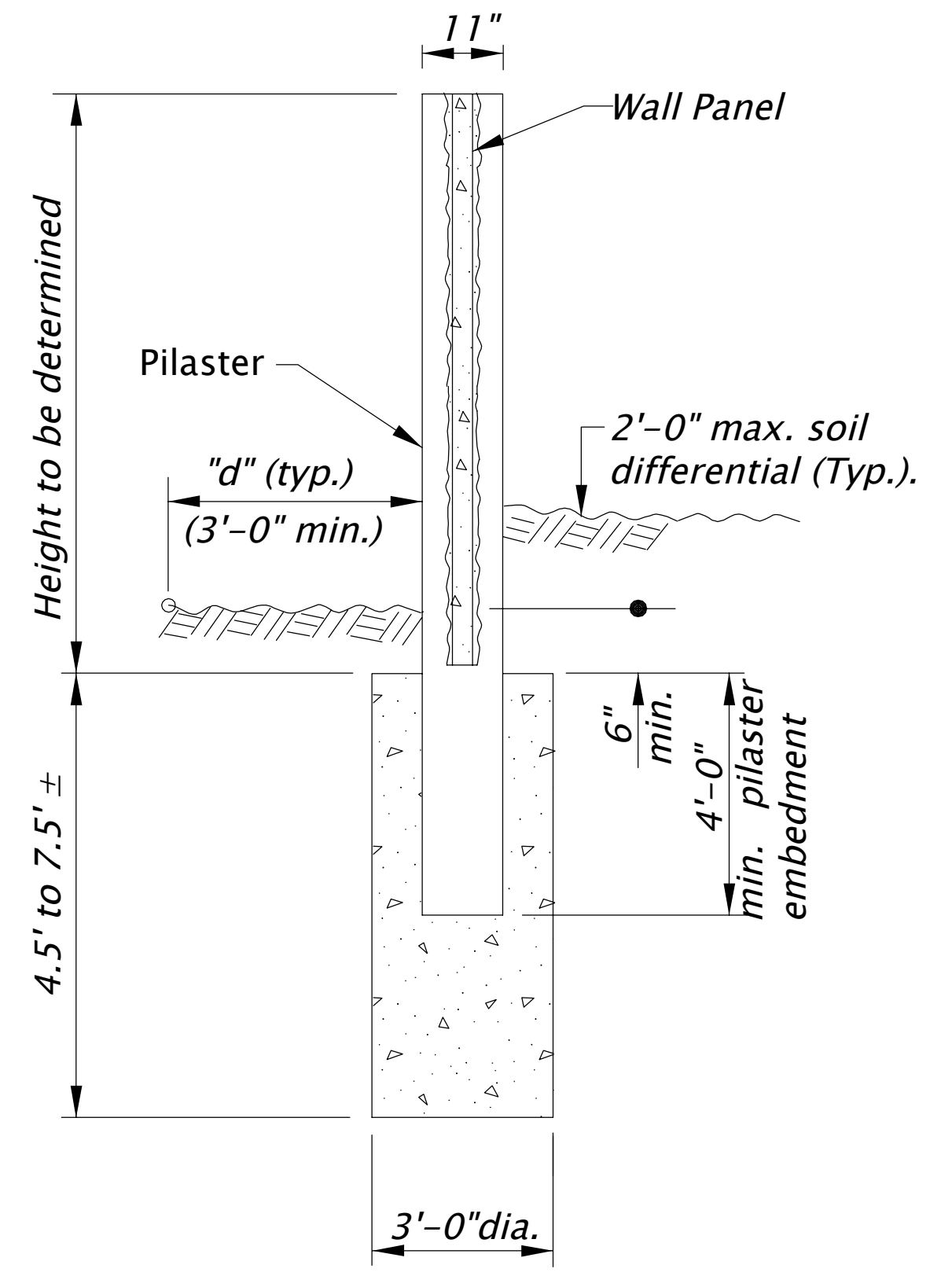


ELEVATION



TYPICAL PANEL SECTION

FINISH DETAIL



WALL SECTION

NOTE: NOISE ANALYSIS IS ONGOING.
SOUND WALL LOCATIONS ARE TO BE DETERMINED



Photos taken on 185th Avenue between West Union and Highway 26