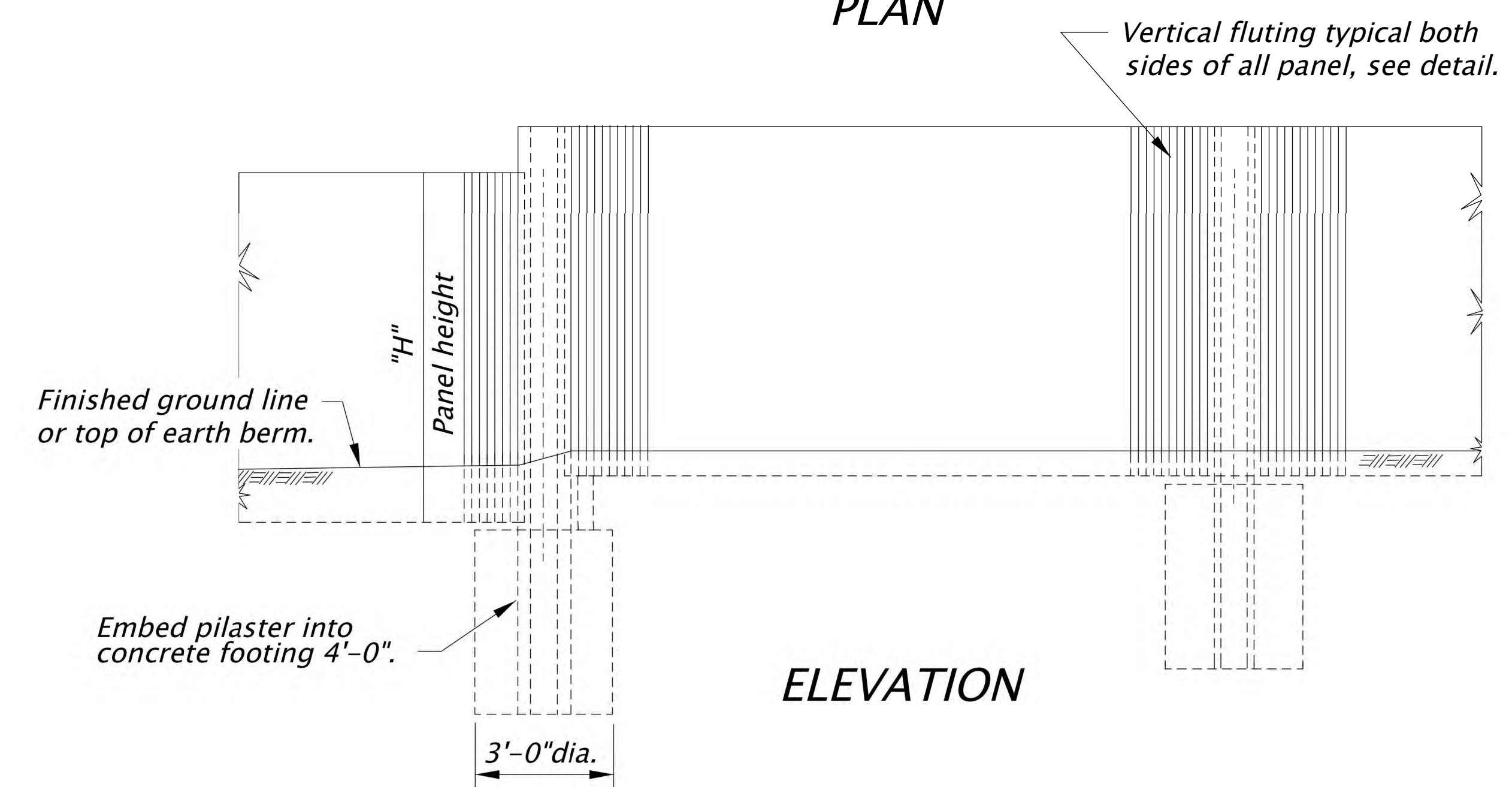
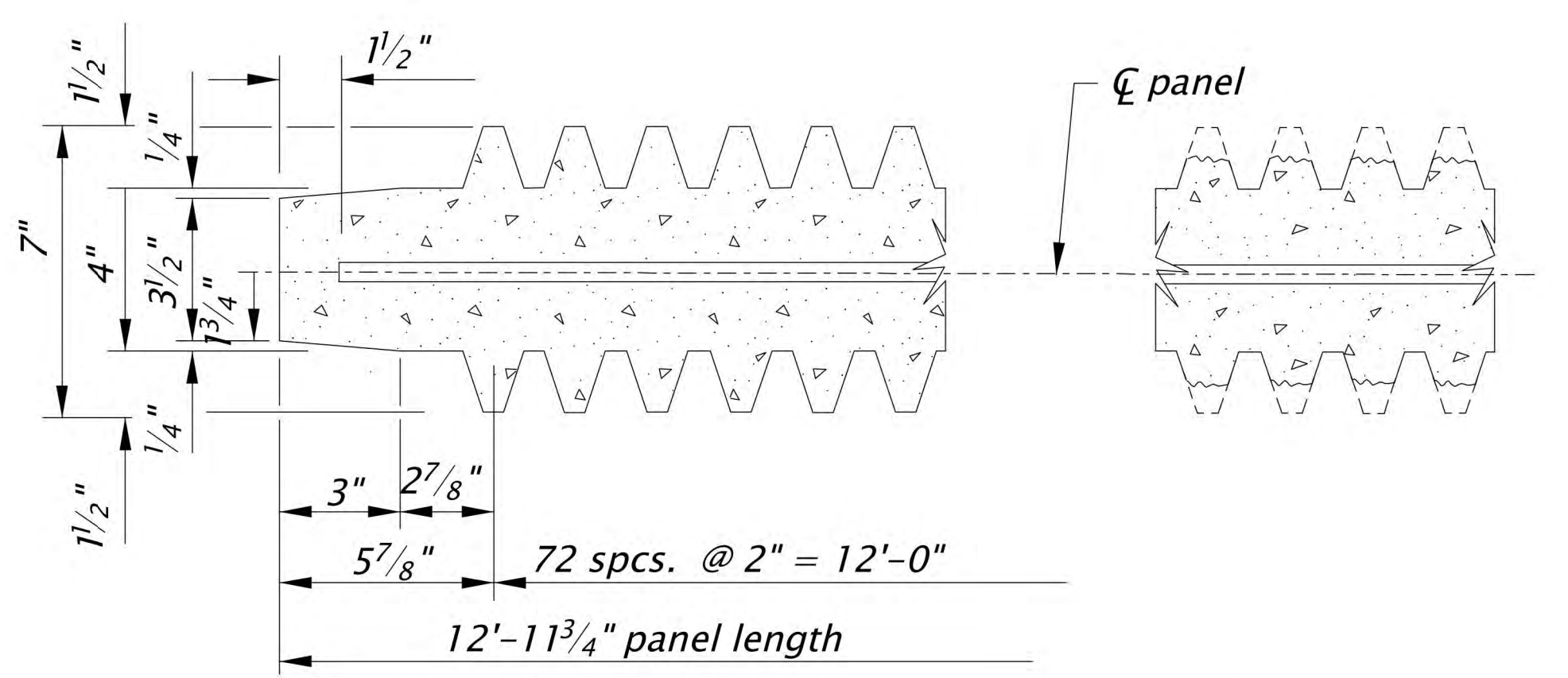


PLAN

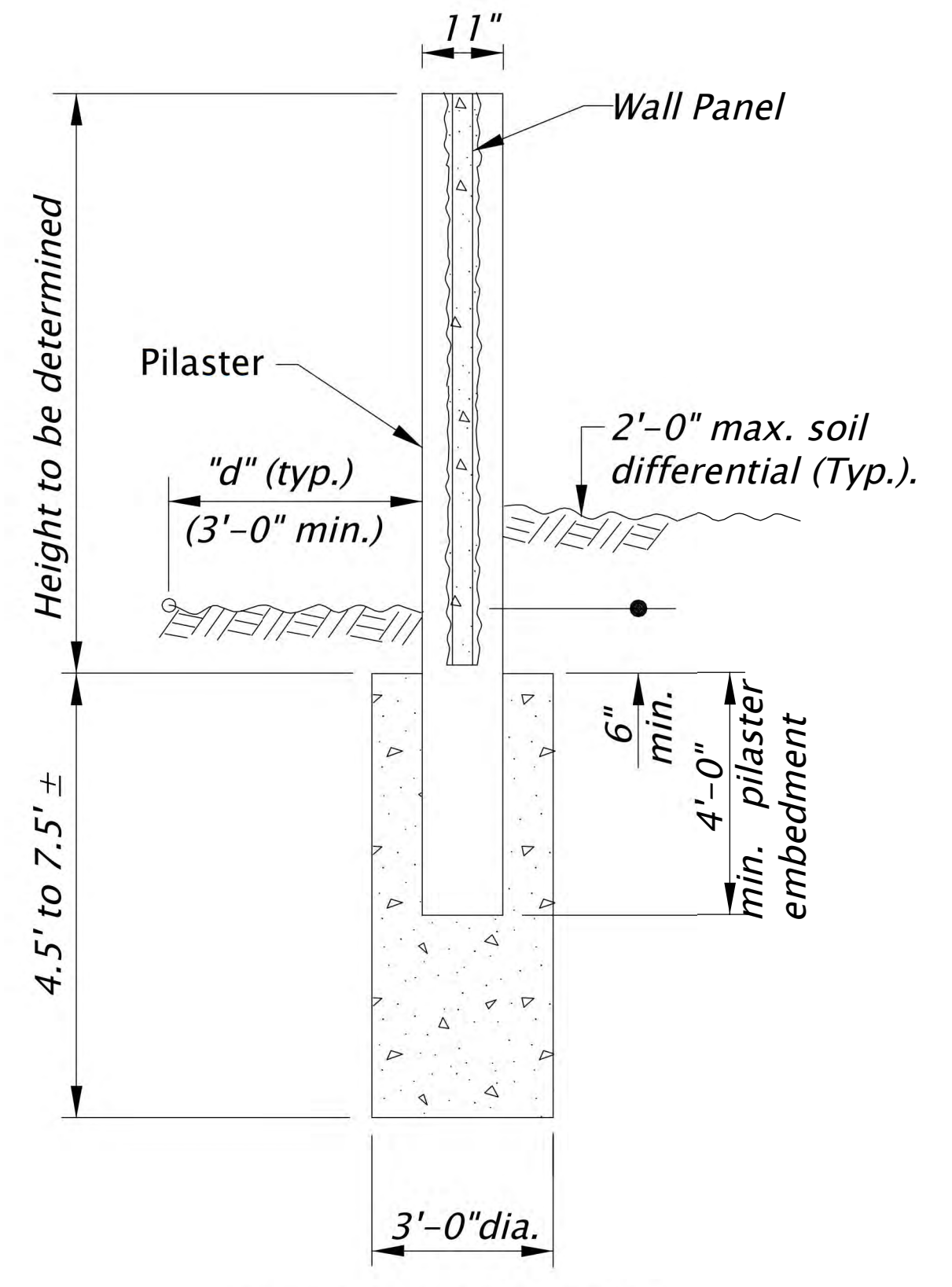


ELEVATION



TYPICAL PANEL SECTION

FINISH DETAIL



WALL SECTION

NOTE: SEE STRIP MAP FOR SOUND WALL LOCATIONS.



Photos taken on 185th Avenue between West Union and Highway 26