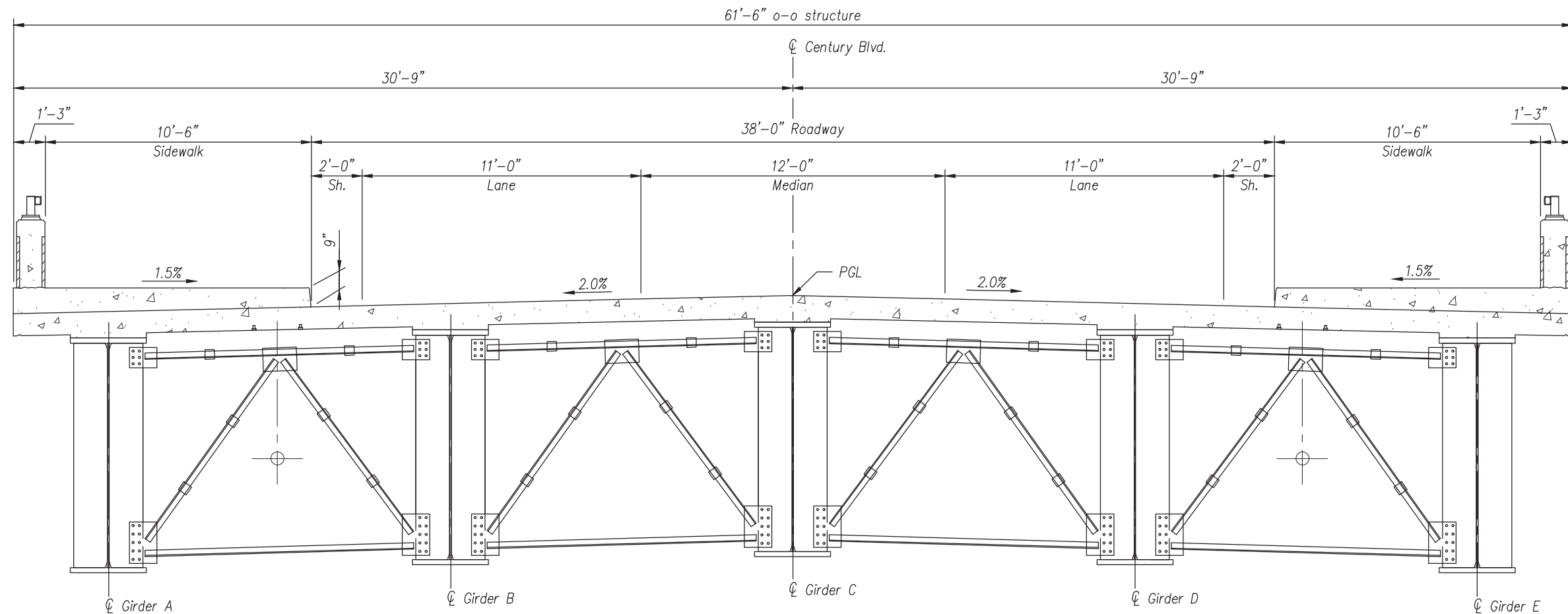


DRAFT



TYPICAL SECTION
Scale: 1" = 5'-0"

SCALE WARNING:
IF THIS BAR DOES
NOT MEASURE 1"
THEN DRAWING IS
NOT TO SCALE.



Department of
Land Use &
Transportation

<p>PLOT STAMP: 12/12/19 11:35A NRUIZ CAD: 0021687-EXHIBIT-2.DWG PATH: P:\WASHINGTON COUNTY, ORP\021687\11-EXECUTION\DRAWINGS\ST</p>	<table border="1" style="width: 100%; border-collapse: collapse;"> <tr> <th style="width: 50%;">NO.</th> <th style="width: 50%;">REVISIONS</th> </tr> <tr> <td> </td> <td> </td> </tr> <tr> <td> </td> <td> </td> </tr> </table>	NO.	REVISIONS				
NO.	REVISIONS						
<p>CENTURY BOULEVARD EXTENSION E. MAIN ST. - SE LOIS ST. WASHINGTON COUNTY</p>							
<p>CENTURY BLVD. BRIDGE OVER ROCK CREEK EXHIBIT - 2</p>							
<p>PROJECT NUMBER</p>							
<p>SHEET NO. OF SHEET TITLE</p>							