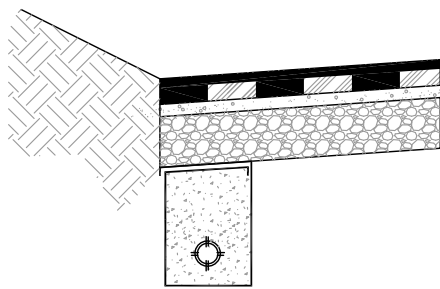
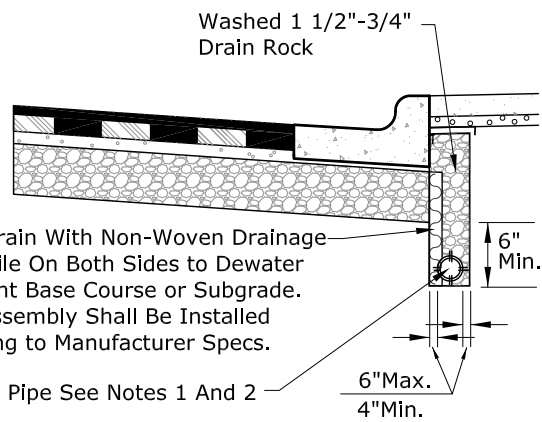


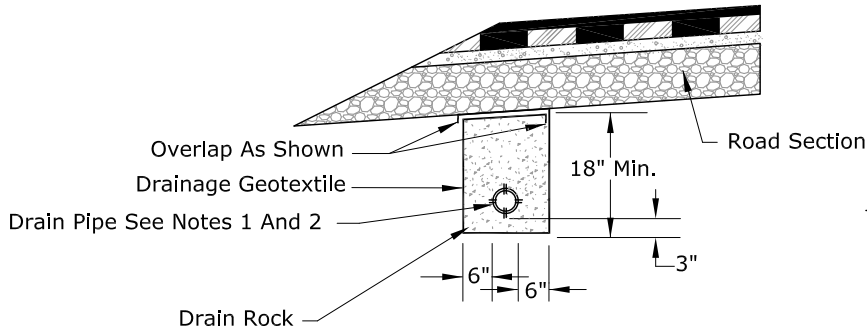
Note: Location Varies, Locate As Directed



(For Subgrade Details See Rt.)
WITHOUT SHOULDER



WITH CURB



WITH SHOULDER
SUBGRADE DRAIN DETAIL
N.T.S.

NOTES:

1. Use 4" Or 6" I.D. A.S.T.M. D-2729 Perforated P.V.C. Pipe As Directed By The Engineer.
2. Connect Subgrade Drain Pipe To Drainage Structure Using Plastic Pipe With Coupling Matching The Drain Pipe Diameter.
3. Locate The Longitudinal Subgrade Drain On The Uphill Side Of The Road Or As Directed By The Engineer.



WASHINGTON COUNTY
DEPARTMENT OF LAND USE &
TRANSPORTATION
ENGINEERING SECTION

**SUBGRADE
DRAIN DETAIL**

PLOT STAMP: 02/24/11 5:34P KELLYE
CAD: 5010.DWG

EFFECTIVE DATE: **3/18/2011**

WASH. CO. # **5010**