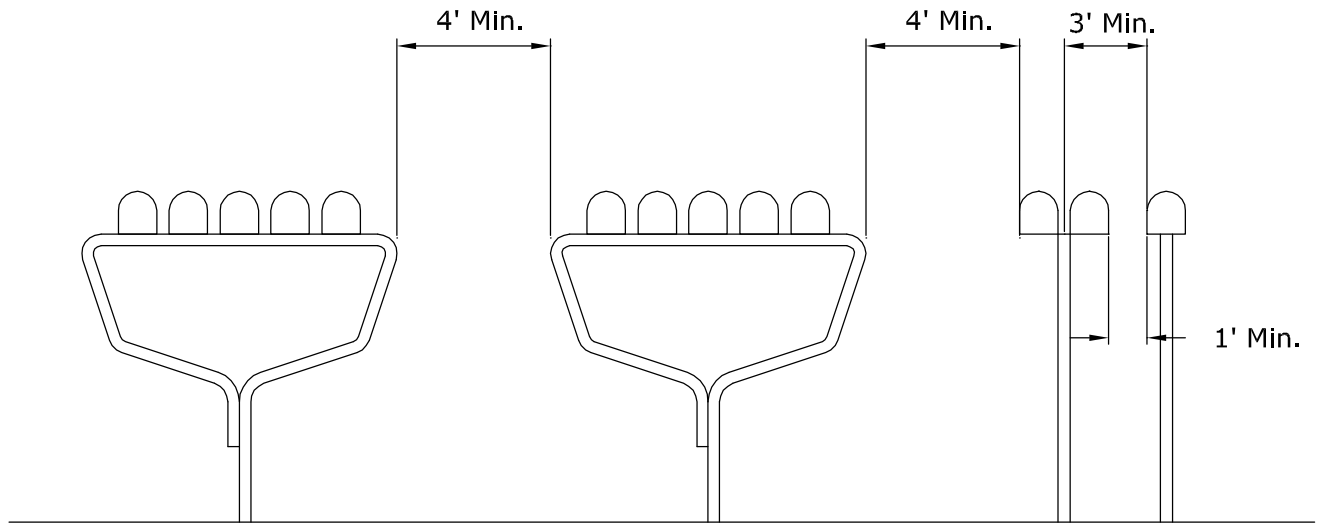


See Oregon Standard Drawings RD100 & RD101 For Details And Notes.

SINGLE OR DOUBLE SUPPORT



SUPPORT SPACING



WASHINGTON COUNTY
DEPARTMENT OF LAND USE &
TRANSPORTATION
ENGINEERING SECTION

**MAILBOX
INSTALLATION PLAN**

PLOT STAMP: 01/03/17 2:35P KELLYE
CAD: 3060.DWG

EFFECTIVE DATE: **1/01/2017**

WASH. CO. # **3060**