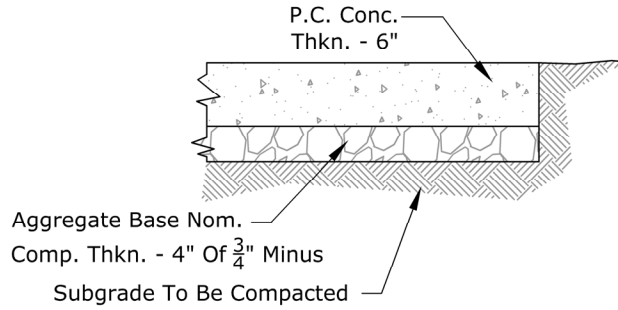
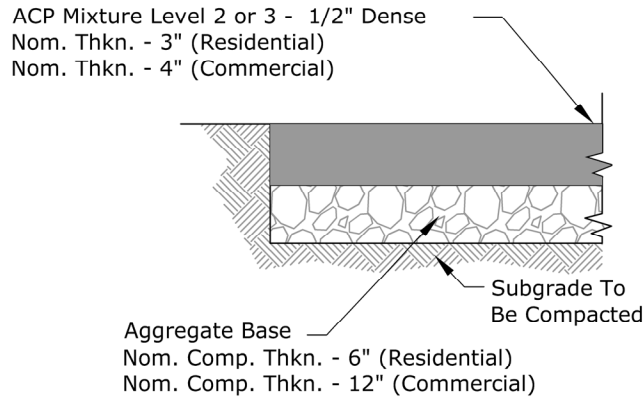


P.C. CONCRETE DWY. AND APPROACHES - COMMERCIAL



P.C. CONCRETE DWY. AND APPROACHES - RESIDENTIAL



ASPHALT CONCRETE DWY. CONNECTION

DRIVEWAY AND DRIVEWAY APPROACH PAVEMENT SECTION

Not to Scale

NOTES:

- 1) Use Oregon Commercial Grade Concrete Per Section 00440 For Driveways And Approaches.
- 2) Sterilize Subgrade.
- 3) Compact Aggregate Base To 100% Density Of AASHTO T-99.
- 4) Compact Subgrade To 95% Density Of AASHTO T-99.



WASHINGTON COUNTY
DEPARTMENT OF LAND USE &
TRANSPORTATION
ENGINEERING SECTION

DRIVEWAY AND DRIVEWAY APPROACH PAVEMENT SECTION

PLOT STAMP: 06/01/22 4:34P ANTHONYD
CAD: 1010.DWG

EFFECTIVE DATE: 06/01/2022

WASH. CO. #

1010